



VINTAGE MINIMAL FRENCH DOOR

Our beautiful VINTAGE line was created to give your projects a luxurious and contemporary touch with very slim profiles.

An excellent option for a classic or minimalist style.

Specifications

- French Outswing and Fixed configurations available
- Narrow sightline
- Multi point lock hardware
- Designed load: +60/-60 PSF (LMI)

Uni-K
FENESTRATION



INSIDE
VIEW



OUTSIDE
VIEW

Dimensions

- Frame depth: 4" or 6"
- Maximum sizes:
 - Single door/Fixed: 50.5" Width x 130" Height
 - Double door: 101" Width x 130" Height

LMI:

- Design load: 60 PSF
- Glass:
 - 1/4" HS + 0.09 SG + 1/4" HS

Non Impact:

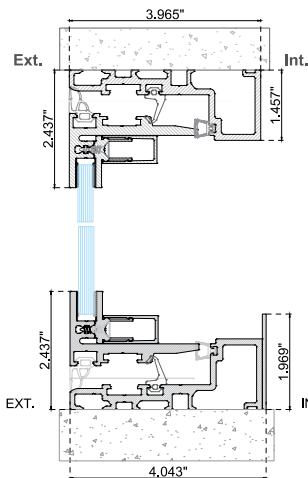
- Design load: 60 PSF
- Glass:
 - 1/4" T + 1/2" spacer + 1/4" T

- Our glass is certified by SGCC and IGCC, ensuring that our processes always deliver the highest quality

- Air infiltration: 1.57 PSF
- Water infiltration: 9 PSF

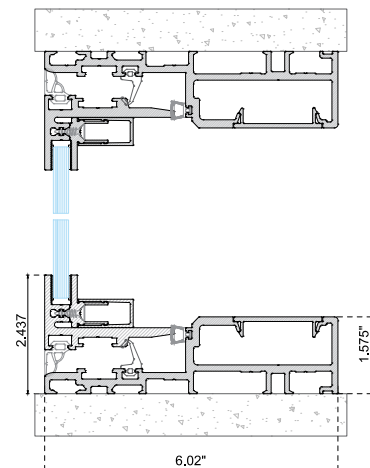
Frame Options

Vertical section
Option A



Only available for Types:
1 - 2 - 3 - 4

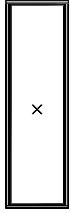
Vertical section
Option B



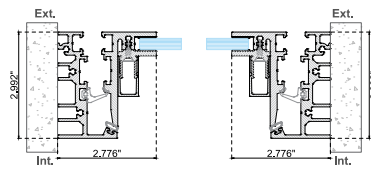
Available for all Types

TYPES

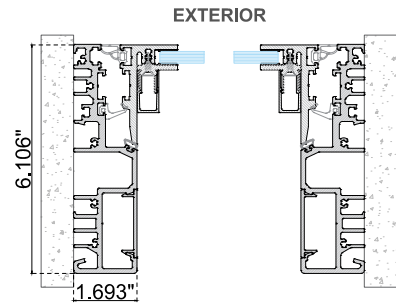
1. Fixed



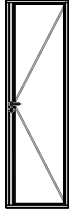
Horizontal section Option A



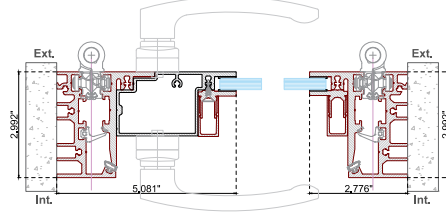
Horizontal section Option B



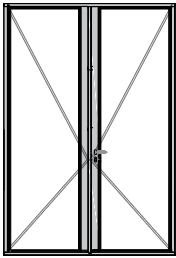
2. Single Door



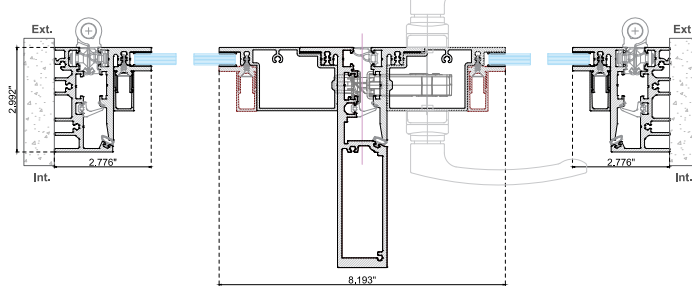
Horizontal section Option A



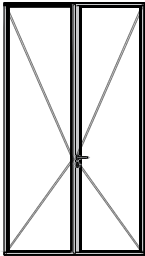
3. Double Door Standard



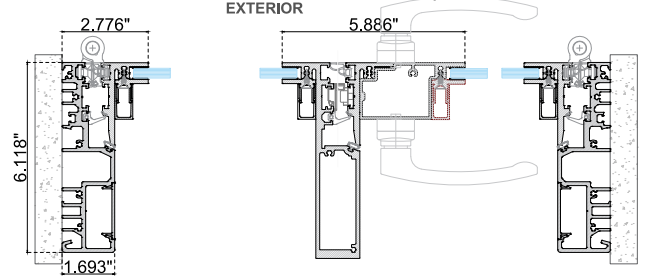
Horizontal section Option A



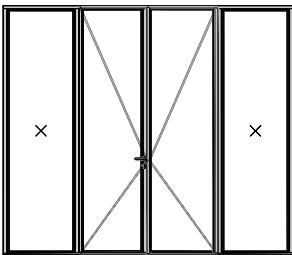
4. Double Door Minimal



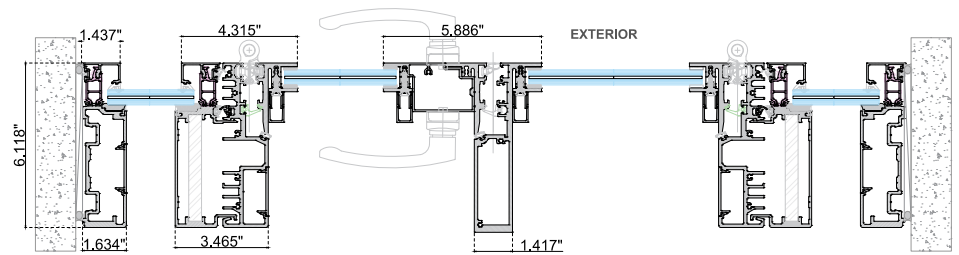
Horizontal section Option B



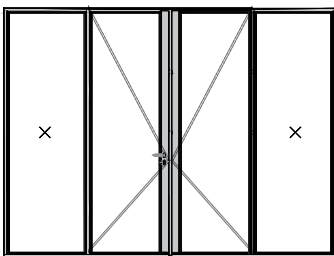
5. Double Door Minimal + Fixed



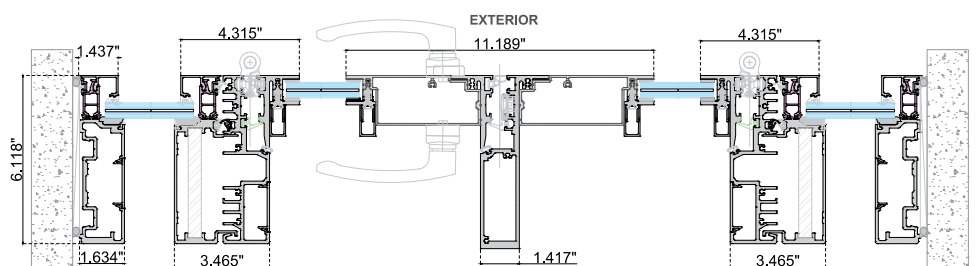
Horizontal section Option B



6. Double Door Standard + Fixed



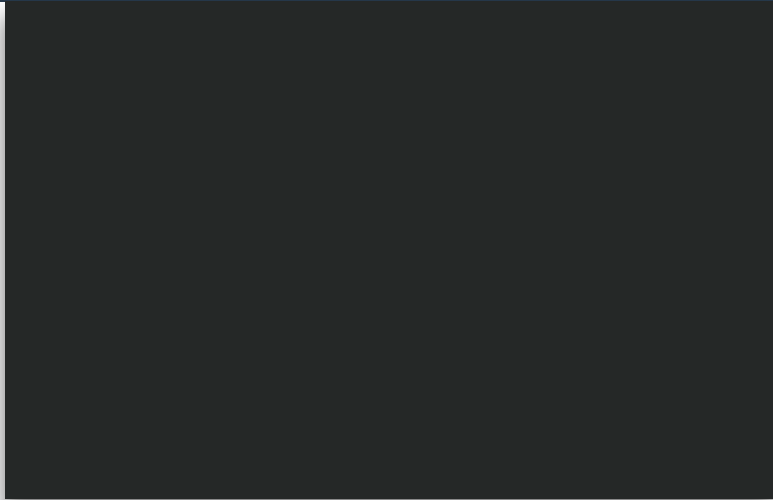
Horizontal section Option B



COLORS



DC04 Graphite



DC05 Dark Grey



DC06 Black



DC09 Brown

Uni-K
FENESTRATION

+305 420 6910

info@unik-windows.com

  @unik.windows

Download this brochure
with this QR



or visit our website
www.unik-windows.com